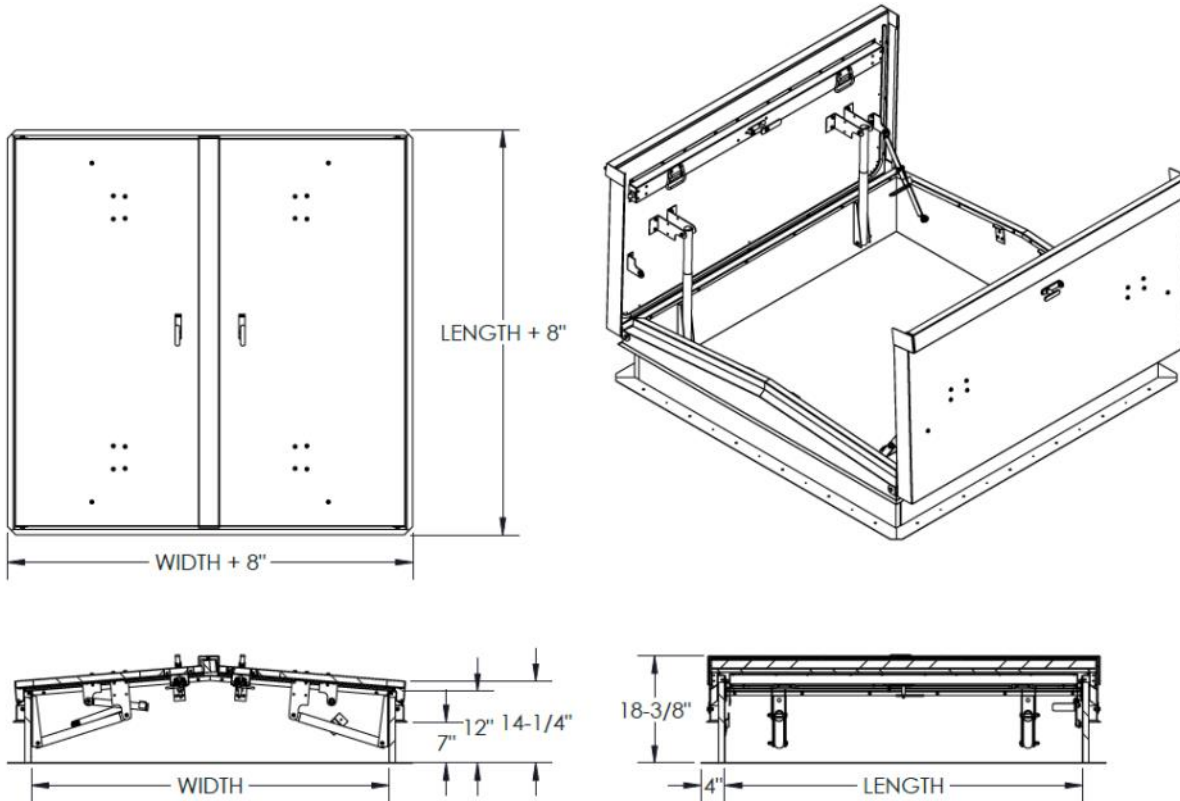


ROOF ACCESSORIES—DURA-HATCH EQUIPMENT SERIES—REH

Double leaf steel or aluminum equipment hatches are ideal for equipment installation and servicing from the roof. Now, with R6 polyisocyanurate insulation and durable factory finish powder coat.



SPECIFICATIONS:

Material: Steel- 14 gauge galvalume steel curb and cover with 22 gauge galvalume steel cover liner. Aluminum—11 gauge aluminum curb and cover with 18 gauge aluminum cover liner.

Finish: Powder coat gray texture on steel, powder coat silver texture on aluminum.

Gasket: Weatherproof EPDM sponge rubber adhesive-backed seal

Insulation: 1" polyisocyanurate (R-6) on curb and in cover

Hinges: Heavy-duty galvalume steel or aluminum hinge with bolt pin

Hold-Open Arm: Clear zinc-plated steel hold-open arm

Latches: Two point universal spring latches on each cover with exterior and interior handles





Spring: Pressure intensifiers with compression springs provide lift assistance

Sizes: Minimum: 48" x 48" Maximum: 72" x 96"

Clear Opening: Minus 8" on width and minus 8" on length

ACCESSORIES SOLD SEPARATELY:

Bolt-on Safety Railing (RSHWB)

 DUR-RED PRODUCTS 9702 Newton Av S. Bloomington, MN 55431	 800-554-6077	Distributor:		Project:
	 sales@activarcpg.com	Contractor:		Approved By:
	 www.activarcpg.com	Date:	Quantity:	Architect:
		Scale: N/A	Pages: 1 of 2	Item #

ROOF ACCESSORIES—DURA-HATCH EQUIPMENT SERIES—REH

COMMON SIZES—REH

QTY	MODEL	MATERIAL	CURB OPENING	CLEAR OPENING
	REHA-4848ST	Aluminum	48" x 48"	40" x 40"
	REHA-6060ST	Aluminum	60" x 60"	52" x 52"
	REHA-6096ST	Aluminum	60" x 96"	52" x 88"
	REHA-7272ST	Aluminum	72" x 72"	64" x 64"
	REHA-7296ST	Aluminum	72" x 96"	64" x 88"
	REHG-4848GT	Steel	48" x 48"	40" x 40"
	REHG-6060GT	Steel	60" x 60"	52" x 52"
	REHG-6096GT	Steel	60" x 96"	52" x 88"
	REHG-7272GT	Steel	72" x 72"	64" x 64"
	REHGA-7296ST	Steel Curb & Aluminum Cover	72" x 96"	64" x 88"

MADE-TO-ORDER REH: EXAMPLE—REHG-4884GT-CD

REH	MATERIAL	- WIDTH LENGTH	FINISH	-	OPTIONS
<input type="checkbox"/>	G Galvanneal	<input type="text"/>	<input type="checkbox"/> GT Powder Coat Gray Texture (Std for REHG)	<input type="checkbox"/>	CD Double Wall Curb
<input type="checkbox"/>	A Aluminum	<input type="text"/>	<input type="checkbox"/> ST Powder Coat Silver Texture (Std for REHA, REHGA)	<input type="checkbox"/>	CM Curb Mount
<input type="checkbox"/>	GA Steel Curb, Aluminum Cover	<input type="text"/>		<input type="checkbox"/>	Hxx Optional Curb Height - Enter Size Below Specify Curb Height from 13" to 22"
				<input type="checkbox"/>	IS 1" Fiberboard Insulated Curb
				<input type="checkbox"/>	IT 2" Polyiso Insulated Curb
				<input type="checkbox"/>	IW 1" x 6" Wood Nailor Top/Polyiso Bottom of Curb
				<input type="checkbox"/>	SS Stainless Hardware (excluding zinc plated steel center operator)

It is the responsibility of the customer to communicate specifications and product performance requirements that are needed for their application. This document is intended to convey potential product configurations and offerings. It is not to be used to imply or represent a specification or rating, of finished products shipped. Detailed, specific submittals can be created upon request. It is the responsibility of the customer to specify product accordingly to comply with local laws, codes, and ordinances.